



Raymond[®] Model 4400 Lift Truck

Power and versatility in one truck.

You need a truck that does many things well. A comfortable truck that productive operators like. That's the Raymond Model 4400 three-wheel sit-down electric lift truck—with all the benefits of AC drive and lift.

Your operators will become productive fast and stay productive longer. They'll appreciate the comfortable operating position, adjustable seat and steering column, and easy-to-reach, intuitive controls. And our exclusive *ACR System*[™] increases productivity with faster, smoother operation, more torque, better acceleration and less downtime.

Get these advantages with the Model 4400:

- Exceptionally low profile
- Natural, tactile, intuitive controls
- A roomy, comfortable operator's compartment that makes operators feel more confident and productive
- Programmable performance
- Raymond's *ACR System*[™] with AC drive and lift motors for increased productivity and lower maintenance costs
- Sealed, oil-cooled disc brakes that need less frequent service
- Open view mast

RAYMOND
Above. And beyond.[®]

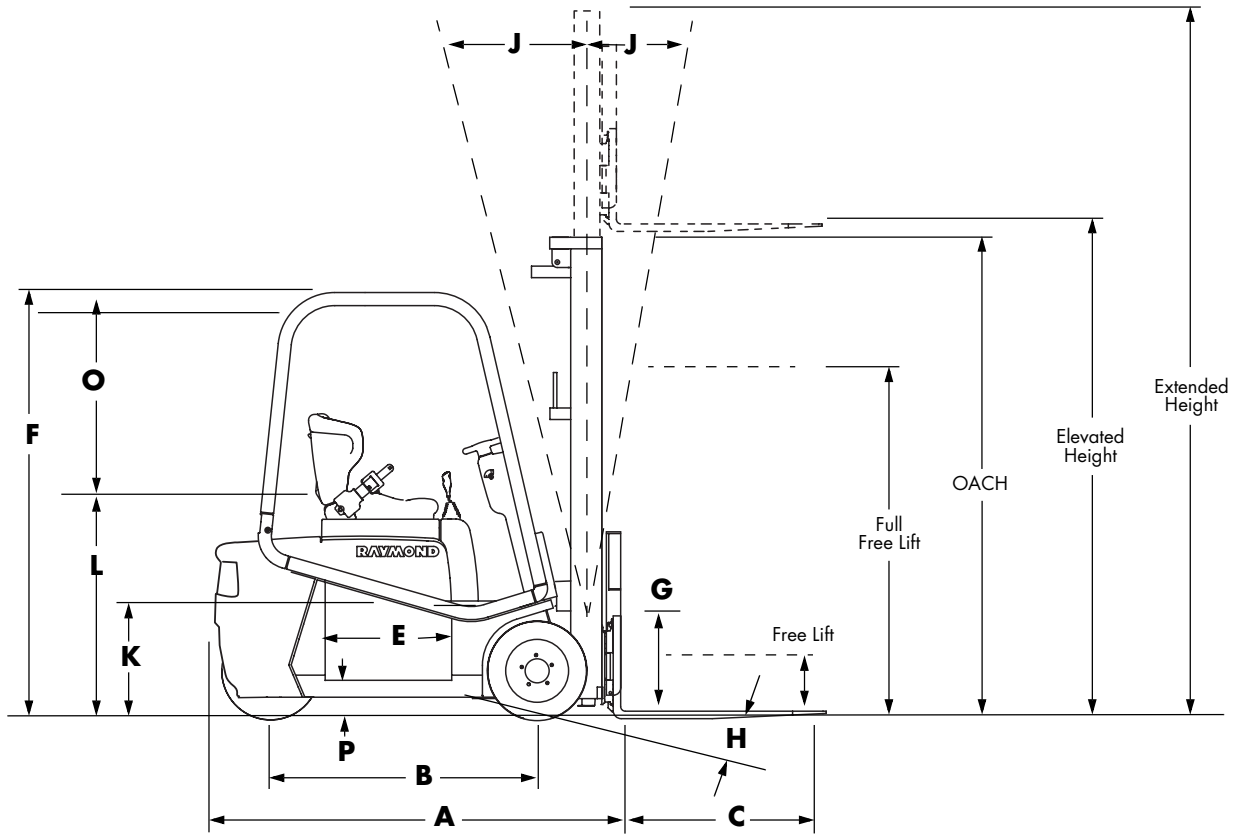
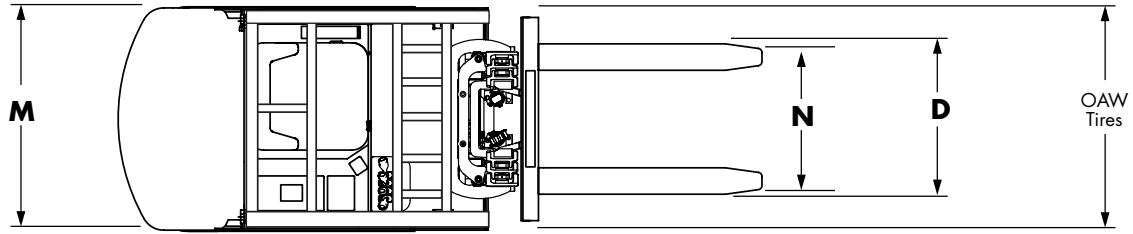
www.raymondcorp.com

Model 4400 truck

DIMENSIONS				
Models		4400-C30 TF, TT	4400-C35 TF, TT	4400-C40 TF, TT
A	Truck Head Length w/o Sideshift	in. 75.1	79.4	84.6
A	Truck Head Length w/Sideshift	in. 76.5	80.8	86.0
B	Truck Wheelbase	in. 51.18	55.51	60.7
C	Forks, Hook Type (Std.) (L x W x T)	in. 42 x 4 x 1.75	42 x 4 x 1.75	42 x 4 x 1.75
D	Fork Adjustment	in. 9 x 33	9 x 33	9 x 33
E	Battery Compartment Size (L x W x H)	in. 32.5 x 20.86 x 23	32.5 x 25.19 x 23	32.5 x 30.39 x 23
F	Overhead Guard Height	in. 76.8	76.8	76.8
G	Carriage Height w/o Std. Load Backrest	in. 20	20	20
H	Grade Clearance	% 13.8	12.7	11.6
J	Mast Tilt (back)	° 6°	6°	6°
J	Mast Tilt (forward)	° 3°	3°	3°
K	Step Height	in. 21.5	21.5	21.5
L	Seat Height	in. 35	35	35
M	OAW Including Tires	in. 39	39	39
N	Mast Width (ITT)	in. 29.88	29.88	29.88
O	Top of Seat to Underside of Overhead Guard	in. 36.5	36.5	36.5
P	Battery Compartment Height (from floor to slides)	in. 7.75	7.75	7.75

PERFORMANCE SPECIFICATIONS						
Models				4400-C30	4400-C35	4400-C40
Maximum Travel Speed	Loaded	36V	mph	8.0	8.0	8.0
	Loaded	48V	mph	9.0	9.0	9.0
	Empty	36V	mph	8.0	8.0	8.0
	Empty	48V	mph	9.0	9.0	9.0
Lift Speed	Loaded	36V / 48V	fpm	56.1/67	54/63	51/60
	Empty	36V / 48V	fpm	88.6/94	88.6/94	88.6/94
Lowering Speed	Loaded	36V / 48V	fpm	86.6/86	88.0/72.8	90.5/90
	Empty	36V / 48V	fpm	72.8/72	72.8/72	72.8/72

Specifications—4400 truck



Mast and Battery Specifications

MAST SPECIFICATIONS				
Models	OACH	Elevated Height	Extended Height w/Load Backrest	Free Lift
	in. (mm)	in. (mm)	in. (mm)	in. (mm)
4400-C30 TF	85 (2159)	126 (3200)	175 (4445)	34 (864)
4400-C35 TF	89 (2261)	134 (3404)	183 (4648)	38 (965)
4400-C40 TF	97 (2464)	150 (3810)	199 (5055)	46 (1168)
4400-C30 TT 4400-C35 TT 4400-C40 TT	79 (2010)	171.5 (4356)	219 (5563)	31 (787)
	83 (2110)	181.5 (4610)	229 (5817)	35 (889)
	88 (2235)	194 (4945)	242 (6147)	40 (1016)
	95 (2410)	213 (5415)	260 (6604)	47 (1194)
	97 (2460)	220.5 (5601)	268 (6807)	49 (1245)
4400-C30 QM 4400-C35 QM 4400-C40 QM	105 (2660)	240.5 (6109)	288 (7315)	57 (1448)
	83 (2108)	240.5 (6109)	288 (7315)	35 (889)
	89 (2261)	258.5 (6566)	307 (7798)	41 (1041)

BATTERY SPECIFICATIONS				
Models		4400-C30	4400-C35	4400-C40
Battery w/o Cover		36 Volts / 48 Volts	36 Volts / 48 Volts	36 Volts / 48 Volts
Ampere-hour, Maximum		660 / 440	770 / 550	990 / 770
Compartment Size-Standard Lead-Acid Battery (L x W x H)		in. 32.5 x 20.25 x 23	32.5 x 24.69 x 23	32.5 x 29.89 x 23
Battery	Min. Weight	lb. 1,410	1706	2016
	Max. Weight	lb. 1,610	1838	2490

GENERAL INFORMATION				
Models		4400-C30 TF, TT, QM	4400-C35 TF, TT, QM	4400-C40 TF, TT, QM
Power Unit		36 Volts / 48 Volts	36 Volts / 48 Volts	36 Volts / 48 Volts
Maximum Capacity @ 24 in.	lb.	3,000	3,500	4,000
Operator Compartment		Sit-down	Sit-down	Sit-down
Drive Tires, (2) Cushion	in.	18 x 7 x 12.125	18 x 7 x 12.125	18 x 7 x 12.125
Gradability (Unloaded)	%	25	24	21
Gradability (Loaded)	%	17	15	14
Turning Radius	in.	59.3	63.5	68.7



Due to continuous product improvement, specifications are subject to change without notice or obligation.

Above. And beyond., ACR System and Raymond are U.S. trademarks of The Raymond Corporation.

© 2007 The Raymond Corporation, Greene, NY. SIFB-0141 507RAY-1

RAYMOND
Above. And beyond.®

The Raymond Corporation
P.O. Box 130
Greene, NY 13778-0130
Toll Free 1 (800) 235-7200
Fax 1 (607) 656-9005

www.raymondcorp.com