

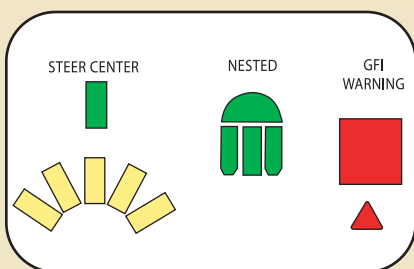
The *Raymond*[®] Transtacker



In today's 24/7/365 day-world, you need to do more with less. Save space, time, and money with the high density storage and very narrow aisle capabilities of the *Raymond* Transtacker. This dual purpose heavy duty AC/DC powered machine combines high-density unit load handling with operator-up orderpicking. With a capacity of up to 4,000 lbs., an elevated height of 59 ft., and the ability to operate in aisles as narrow as 54 inches, this truck sets the standard for high performance and versatility.

AC/DC power combination. The *Raymond* Transtacker operates on AC power and is guided by floor and ceiling mounted guide tracks while in the aisle.

Outside the storage aisle, the truck operates as a DC battery powered vehicle, providing fast and easy aisle changing capabilities with no mechanical aisle changing devices. The DC power is supplied by a 36 volt industrial battery that is automatically recharged when the vehicle is operating in the storage aisle. This allows for operation in a 24-hour-a-day, 7-day-a week operating environment with no downtime for battery changing or charging.



The Conveniently located Operator Display Panel provides the operator with essential truck information

RAYMOND
Above. And beyond.[®]

www.raymondcorp.com

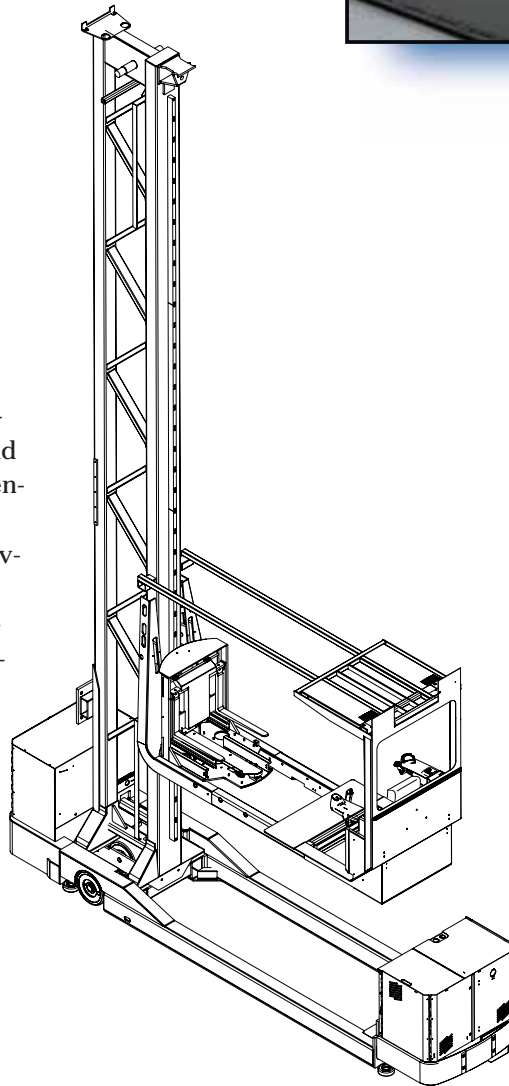
Rugged, reliable and versatile.

Comfort and control. The ergonomically designed operator's compartment and state-of-the-art controls layout enhance operator comfort, which in-turn increases operator performance and productivity. Intuitive control handles provide the operator easy control of all critical truck functions with maximum efficiency and comfort. The adjustable seat and arm rests provide a comfortable operating position and allow for easier entry and exit from the operator's compartment. Additional operator compartment features include area lighting, a conveniently located operator display panel, a 115 VAC convenience power outlet, and storage space. The operator's compartment is available in both open and closed configurations.



Smoothness and stability.

Transistorized speed control provides smooth, variable control with a top speed of 5.5 mph in the storage aisle and 2.5 mph outside the aisle. The dynamic hoist brake slows the truck to a smooth stop prior to engaging the mechanical brake. The variable speed AC lift/lower provides infinitely variable control of fork positioning and eliminates load jarring. A pallet centering device automatically aligns the pallet to maintain constant travel clearance. The combination of these and other truck features creates a vehicle that increases operator confidence and comfort thus increasing productivity.



Maintenance made easy. The truck's regenerative braking system reduces motor heat and extends motor brush life. A heavy duty drive system minimizes the stress on the vehicle's drive components, extending service life and reducing maintenance requirements. Troubleshooting is simplified by the fault code display, which provides a diagnostic and maintenance interface. All of these features add up to lower scheduled maintenance costs, fewer replacement parts, lower technician costs, and less truck downtime, which reduces the vehicle's overall cost of operation.



RAYMOND
Above. And beyond.®

The Raymond Corporation
P.O. Box 130
Greene, New York 13778-0130
Toll free 1 (800) 235-7200
Fax 1 (607) 656-9005

Due to continuous product improvement, specifications are subject to change without notice or obligation. *Raymond and Above. And beyond.* are U.S. trademarks of The Raymond Corporation.
© 2002 The Raymond Corporation, Greene, NY. Printed in USA. SIFB-0092 1102CT-15

www.raymondcorp.com